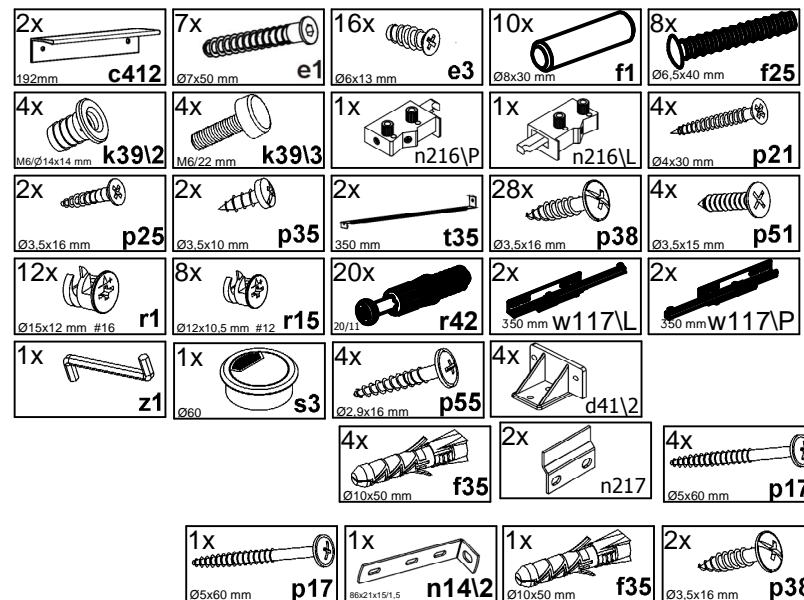
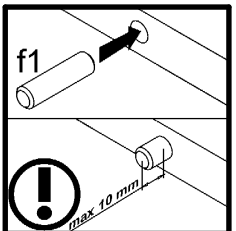
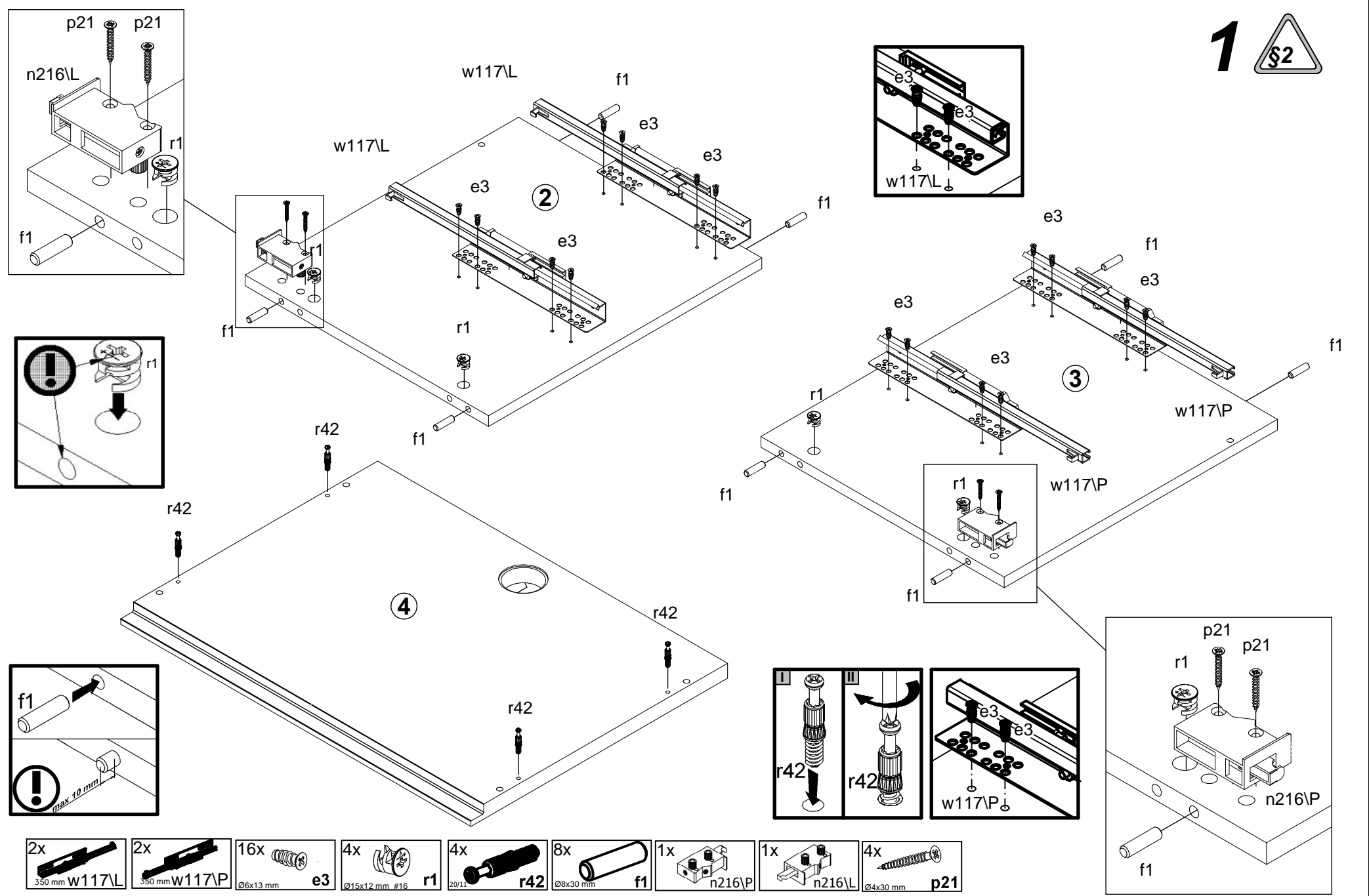
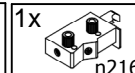


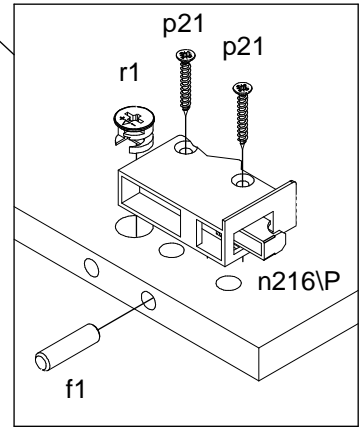
A	B	C1	C2	C3	D
1	S507-0005	244	596	19	1/1
2	S507-1014	468	417	16	1/1
3	S507-1015	468	417	16	1/1
4	S507-2006	600	440	22	1/1
5	S507-2007	600	418	16	1/1
6	S507-4002	290	100	16	1/1
7	S507-4005	290	100	16	1/1
8	S507-4006	500	100	16	1/1
9	S507-4009	599	100	16	1/1
10	S507-4010	467	100	16	1/1
11	S507-4503	144	567	16	1/1
12	WSP-9281	537	358	2,5	1/1
13	ZQ6-5079	527	127	15	1/1
14	ZQ6-511	350	140	12	1/1
15	ZQ6-512	350	140	12	1/1



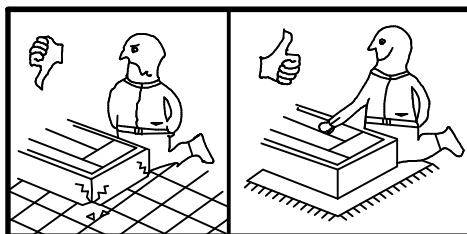
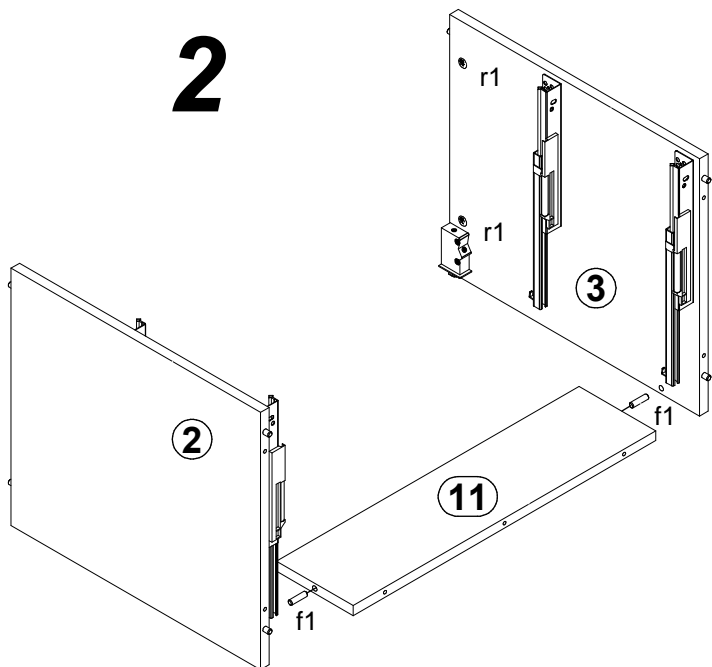
1 



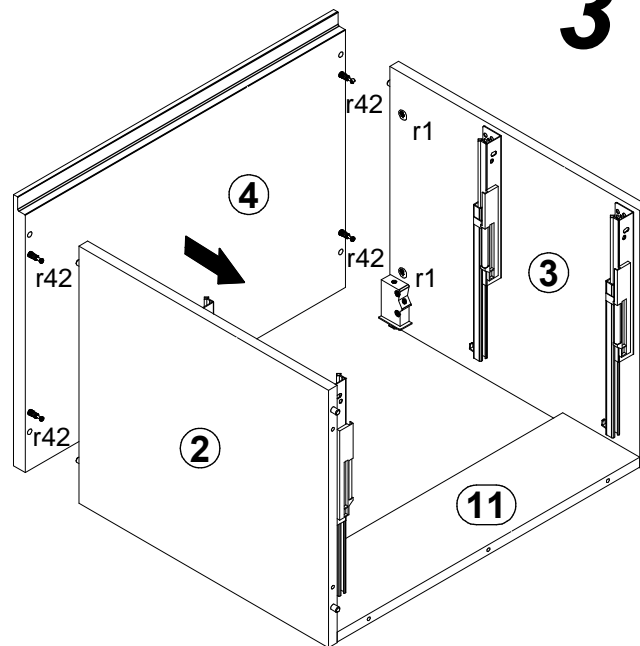
- 2x  350 mm W117L
- 2x  350 mm W117P
- 16x  Ø6x13 mm e3
- 4x  Ø15x12 mm #16 r1
- 4x  20/11 r42
- 8x  Ø8x30 mm f1
- 1x  n216P
- 1x  n216L
- 4x  Ø4x30 mm p21



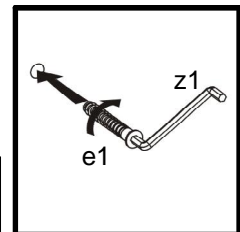
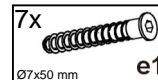
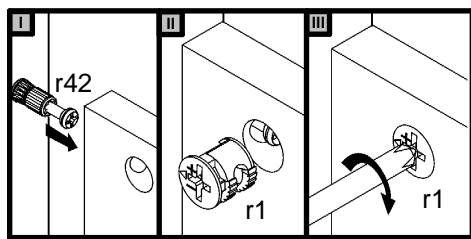
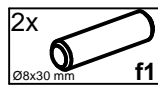
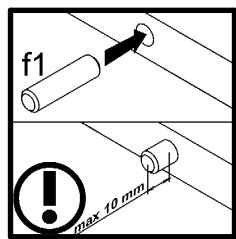
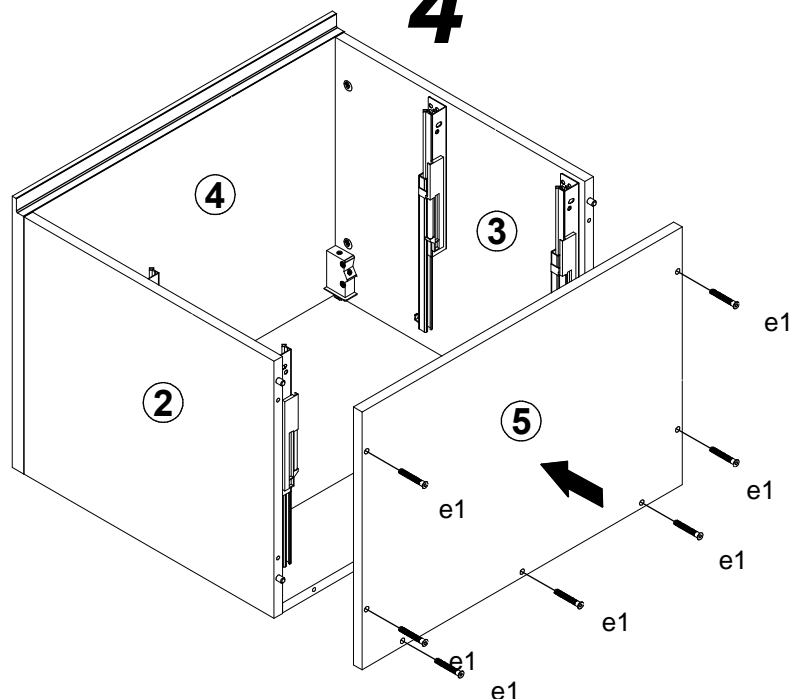
2



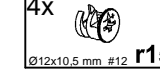
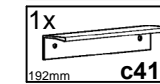
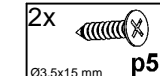
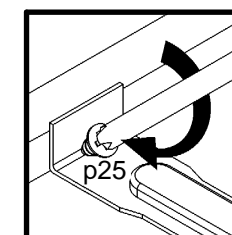
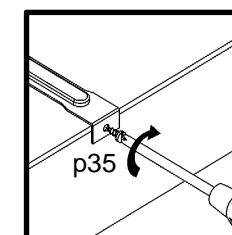
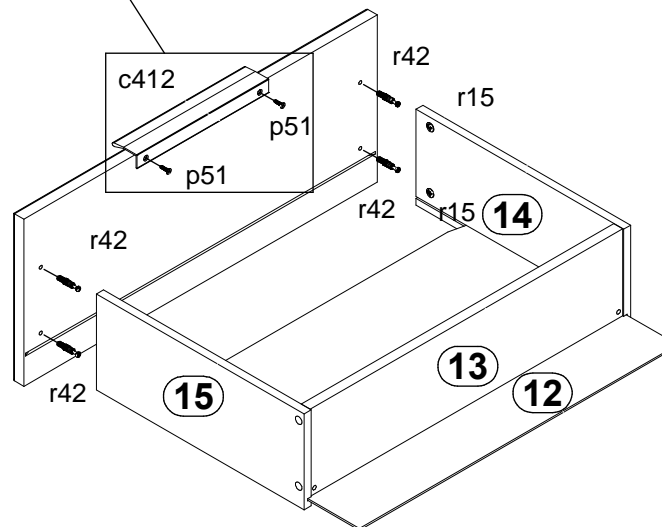
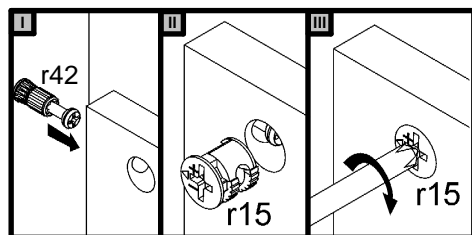
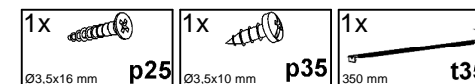
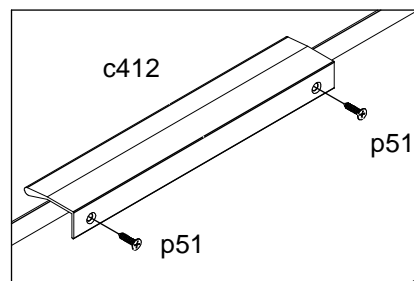
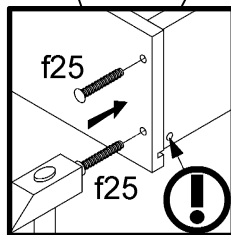
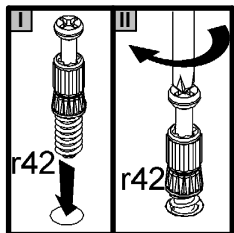
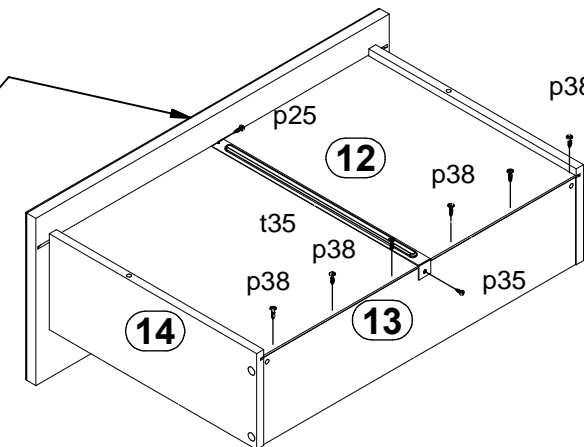
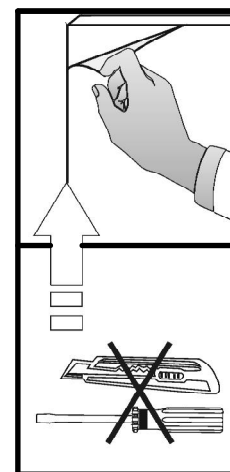
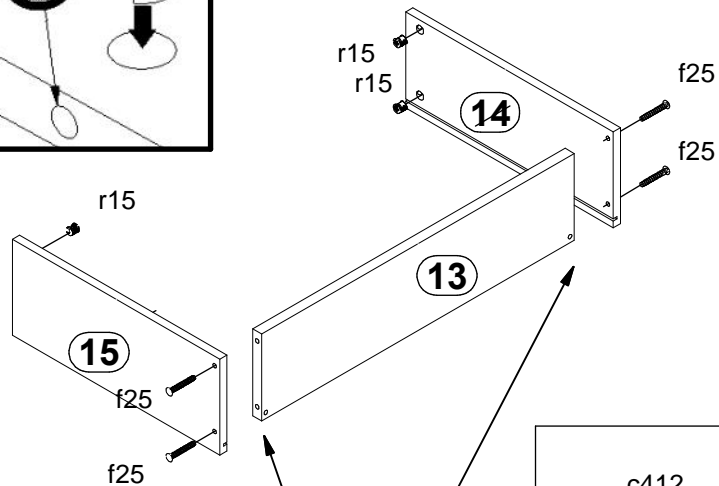
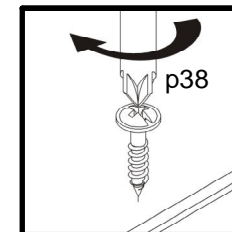
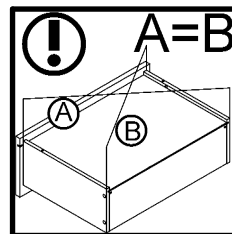
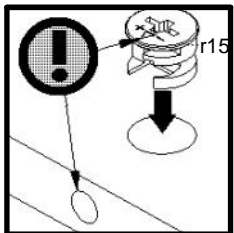
3



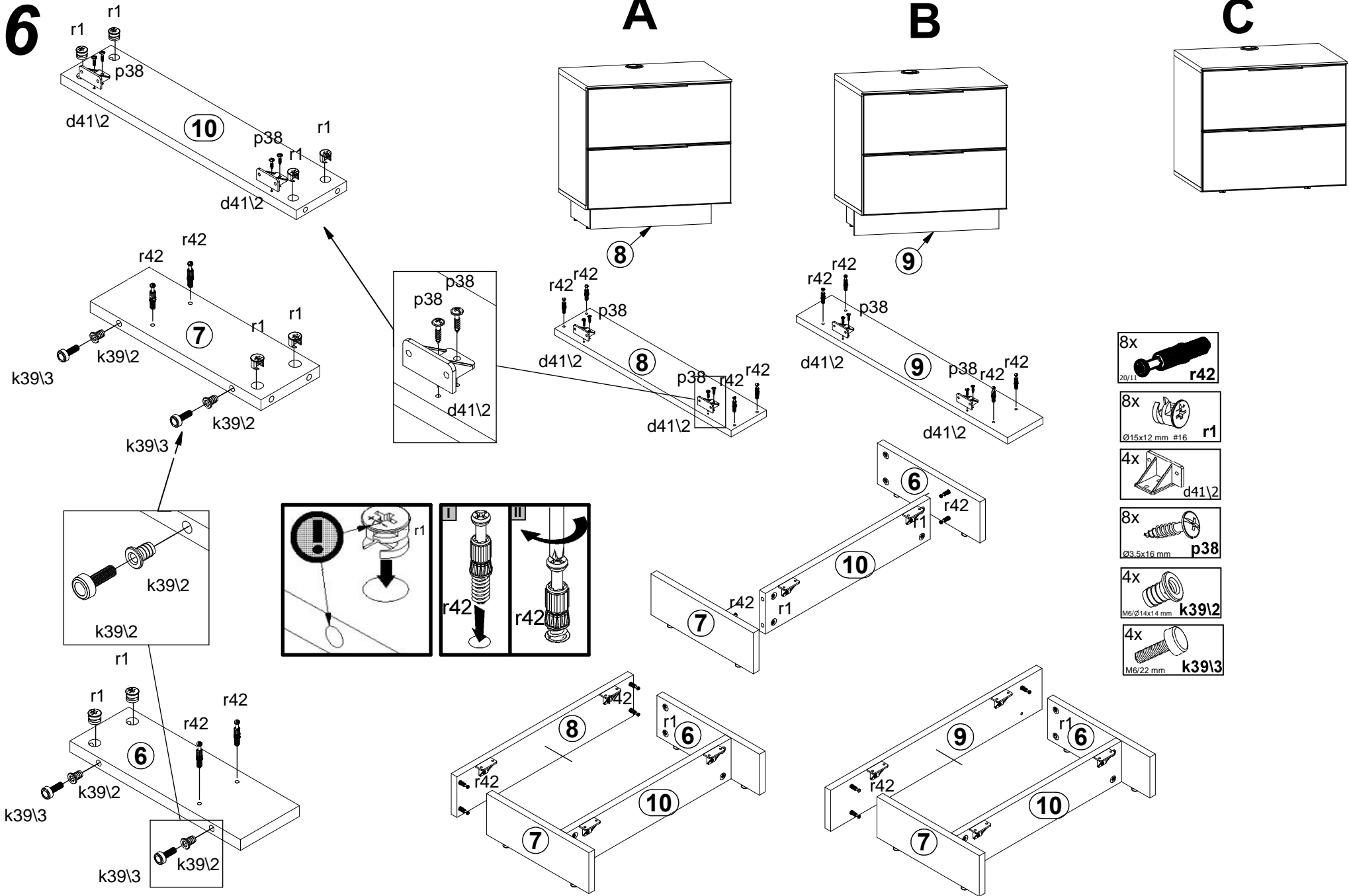
4



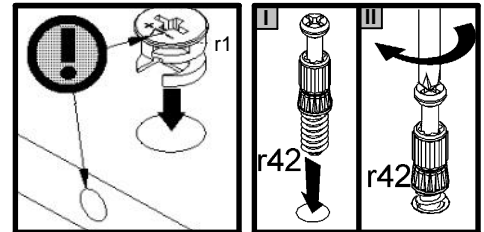
5



6



- 8x r42
20/11
- 8x r1
Ø15x12 mm #16
- 4x d41/2
- 8x p38
Ø3.5x16 mm
- 4x k39/2
M6/Ø14x14 mm
- 4x k39/3
M6/22 mm



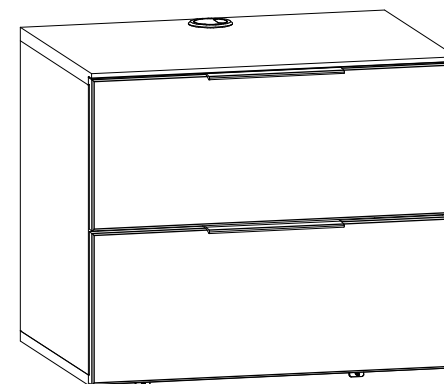
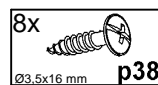
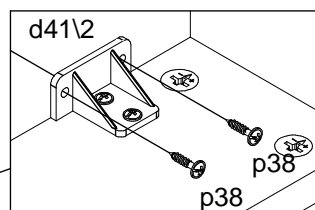
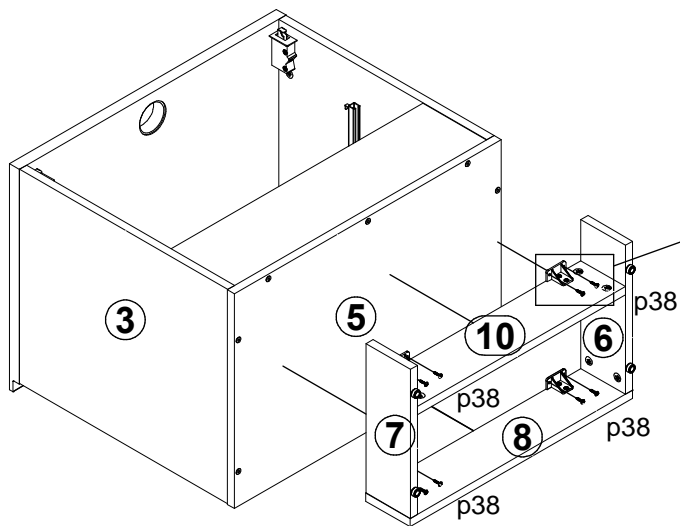
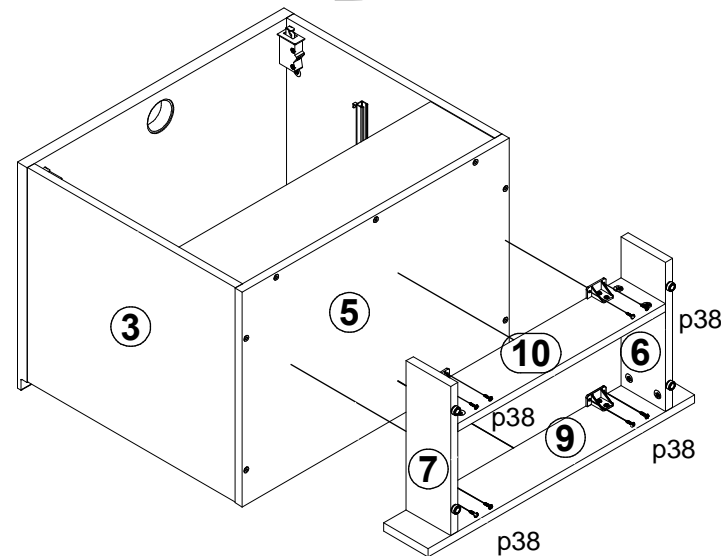
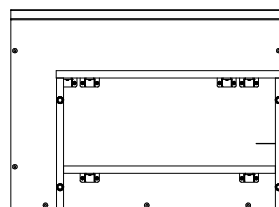
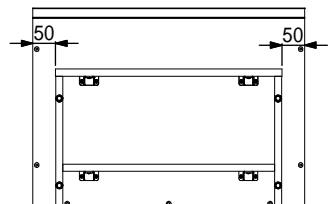
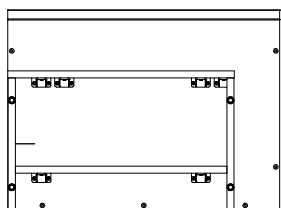
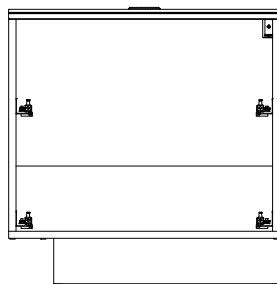
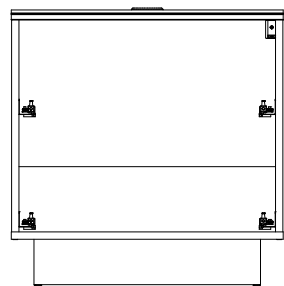
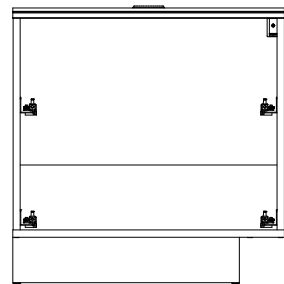
7 AL



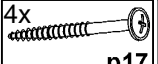

A

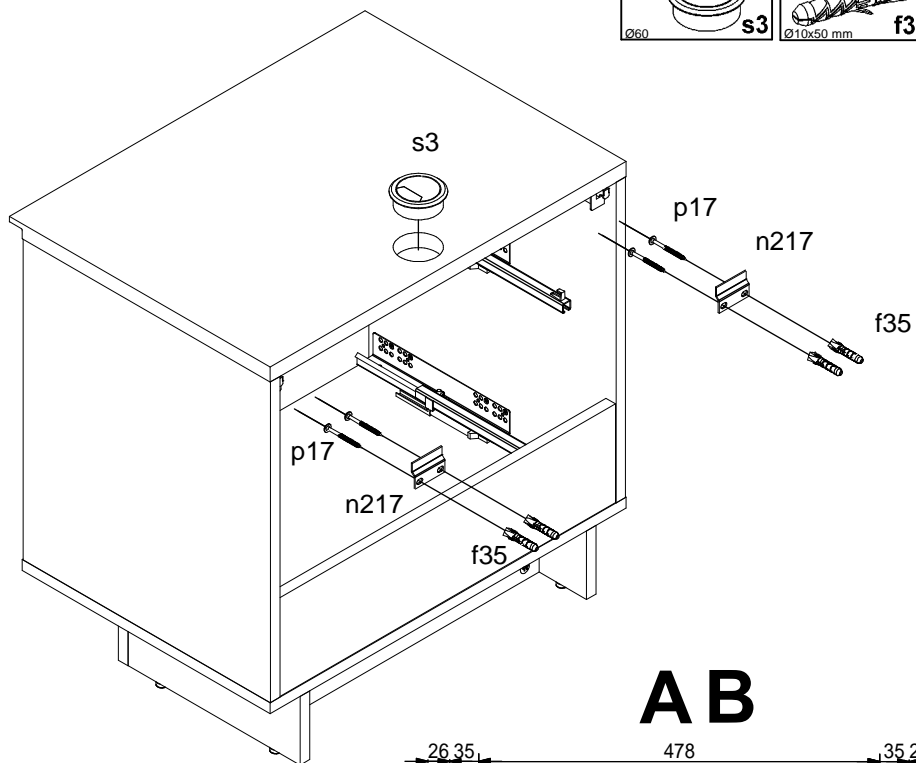
AP

B

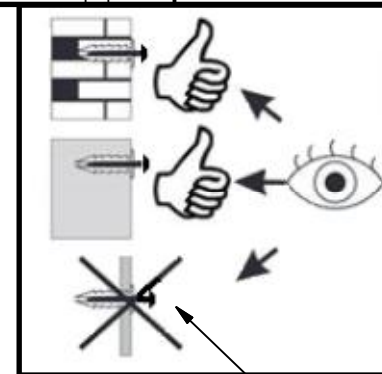
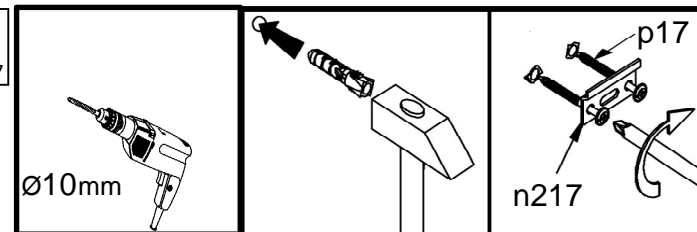
C



- 1x  s3
- 4x  f35
- 4x  p17
- 2x  n217

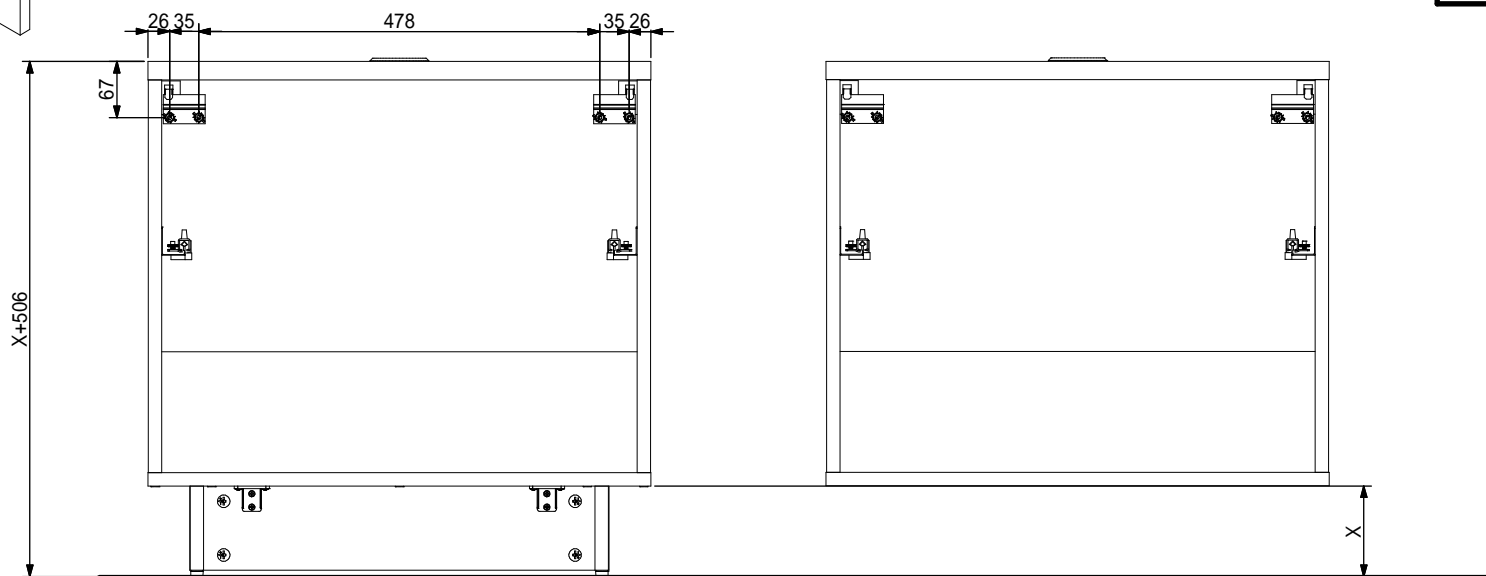


8



AB

C



6

